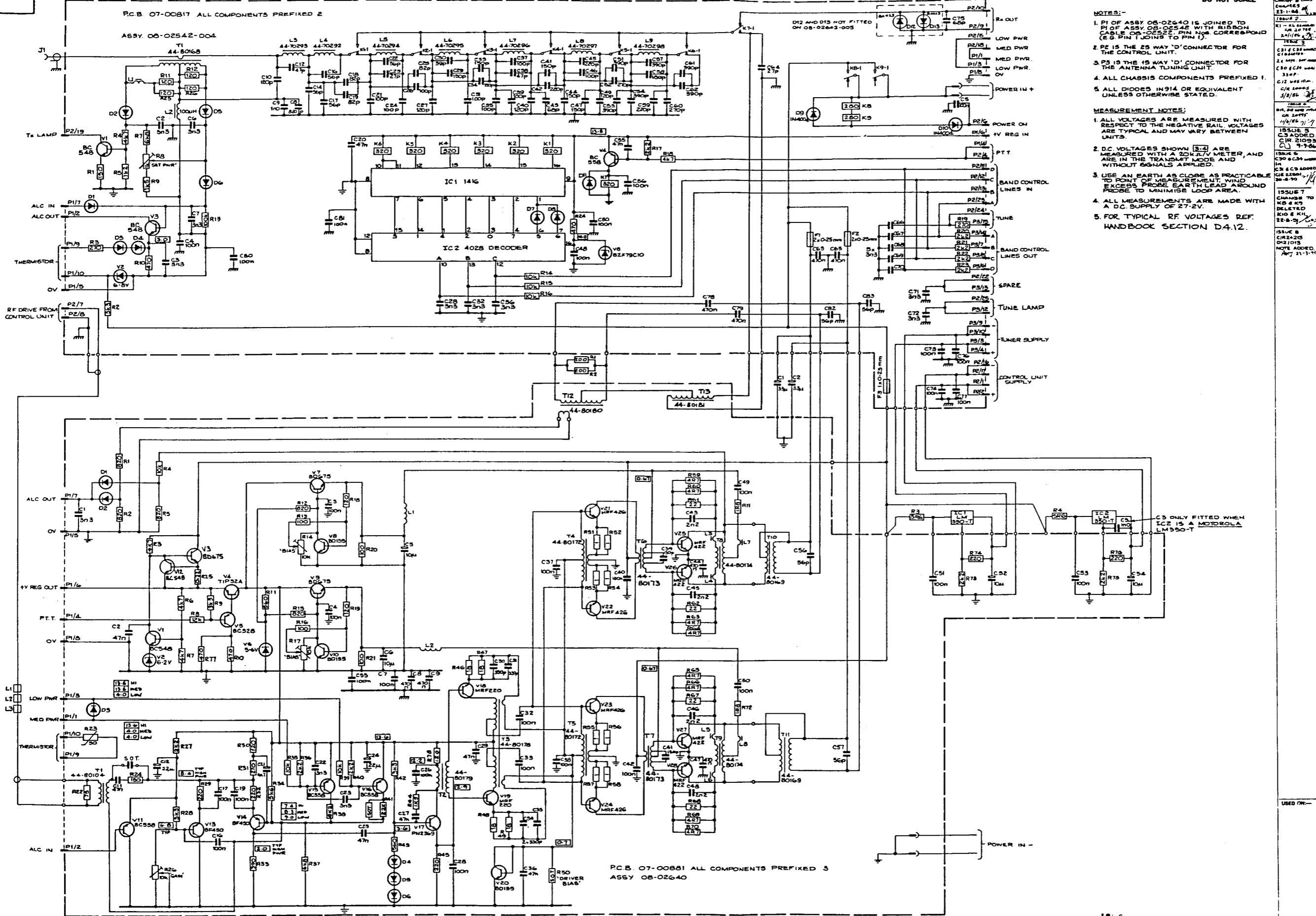


ORIG. No. B

DO NOT SCALE



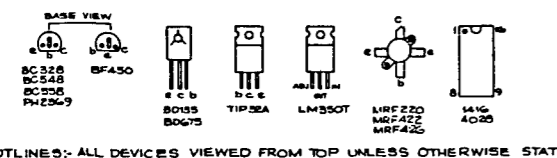
NOTES:-

1. P1 OF ASSY 08-02640 IS JOINED TO P1 OF ASSY 08-02542 WITH RIBBON CABLE 08-02555. PIN NOS CORRESPOND (E.G. PIN 1 JOINS TO PIN 1).
2. P2 IS THE 25 WAY 'D' CONNECTOR FOR THE CONTROL UNIT.
3. P3 IS THE 15 WAY 'D' CONNECTOR FOR THE ANTENNA TUNING UNIT.
4. ALL CHASSIS COMPONENTS PREFIXED 1.
5. ALL DIODES IN 914 OR EQUIVALENT UNLESS OTHERWISE STATED.

MEASUREMENT NOTES:

1. ALL VOLTAGES ARE MEASURED WITH RESPECT TO THE NEGATIVE RAIL. VOLTAGES ARE TYPICAL AND MAY VARY BETWEEN UNITS.
2. D.C. VOLTAGES SHOWN [3.4] ARE MEASURED WITH A 20k Ω /V METER, AND ARE IN THE TRANSMIT MODE AND WITHOUT SIGNALS APPLIED.
3. USE AN EARTH AS CLOSE AS PRACTICABLE TO POINT OF MEASUREMENT. WIND EXCESS PROBE EARTH LEAD AROUND FUSE TO MINIMISE LOOP AREA.
4. ALL MEASUREMENTS ARE MADE WITH A D.C. SUPPLY OF 27.2V.
5. FOR TYPICAL RF VOLTAGES REF. HANDBOOK SECTION D4.12.

ISSUE CHANGE
 B. 08-02542
 C. 08-02542
 D. 08-02542
 E. 08-02542
 F. 08-02542
 G. 08-02542
 H. 08-02542
 I. 08-02542
 J. 08-02542
 K. 08-02542
 L. 08-02542
 M. 08-02542
 N. 08-02542
 O. 08-02542
 P. 08-02542
 Q. 08-02542
 R. 08-02542
 S. 08-02542
 T. 08-02542
 U. 08-02542
 V. 08-02542
 W. 08-02542
 X. 08-02542
 Y. 08-02542
 Z. 08-02542



OUTLINES: ALL DEVICES VIEWED FROM TOP UNLESS OTHERWISE STATED

1	2	3	4	5	6	7	8	9	10	11	12	13	14	15	16	17	18	19	20
CODAN PTY. LTD.												SCALE	DATE	MATERIAL					
400W POWER AMPLIFIER												DRAWN	BY	FINISH					
												CHECKED	BY						
												APPROVED	BY						
												TOLERANCES - UNLESS OTHERWISE STATED.							
												FRACT. - 1/16 DEC - 005							
												ORIG. No.	B 04-01817						